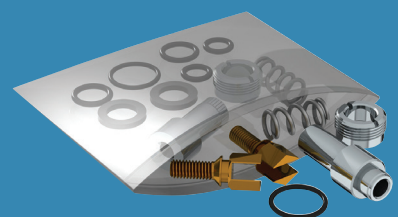
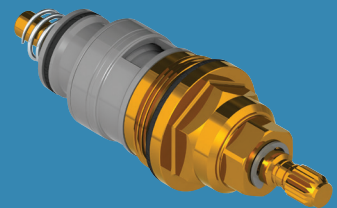
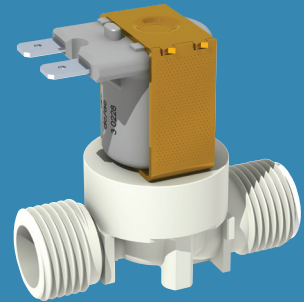
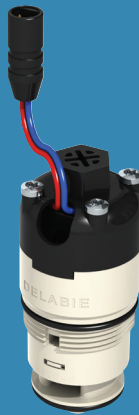
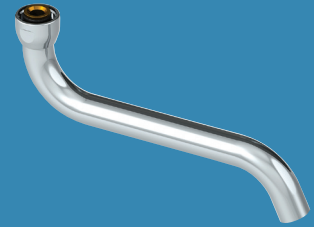
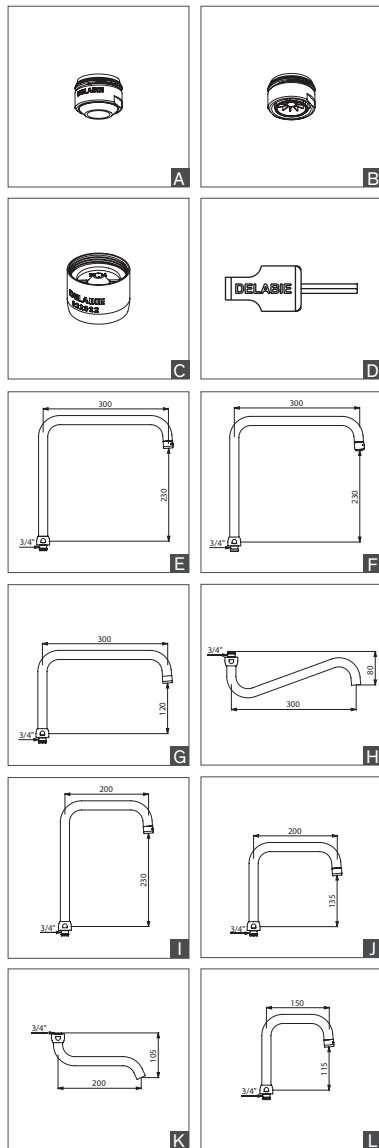


Spare parts





BIOSAFE OUTLETS, FLOW STRAIGHTENERS

BIOSAFE outlets free flow with no grids or partitions in contact with water (with brass collar)		
F22/100 (1 piece) for basin taps/mixers 5 lpm	923022	-
F22/100 (50 pieces) for basin taps/mixers 5 lpm	923022.50P	-
M24/100 (1 piece) for basin taps/mixers 5 lpm	923024	A
M24/100 (50 pieces) for basin taps/mixers 5 lpm	923024.50P	A
M24/100 (1 piece) for 2640 basin taps/mixers, 5 lpm	922640	-

Hygienic flow straighteners star-shaped with no grid, reduces bacterial development (with brass collar)		
F22/100 (2 pieces)	921022.2P	-
F22/100 (50 pieces)	921022.50P	-
M24/100 (2 pieces)	921024.2P	B
M24/100 (50 pieces)	921024.50P	B

Flow straighteners at 3 lpm flow rate can be adjusted using 2.5mm Allen key (with brass collar)		
F22/100 (2 pieces)	922022.2P	C
M24/100 (2 pieces)	922024.2P	-
Key for adjustments (2.5mm Allen key)	C282025	D

Removal tool		
For flow straighteners	222428	-

SPOUTS

Spouts L. 300mm		
Over spout Ø 22mm, H. 230mm with nut 3/4", flow straightener inserted	963300245F	E
Over spout Ø 22mm, H. 230mm with nut 3/4" and BIOSAFE outlet	963300923F	F
Over spout Ø 22mm, H. 120mm with nut 3/4", flow straightener inserted	963300145F	G
Under spout Ø 22mm, H. 80mm with nut 3/4" and flow straightener, not threaded	943300110	H

Spouts L. 200mm		
Over spout Ø 22mm, H. 230mm with nut 3/4", flow straightener set at 3 lpm (can be adjusted by 2.5mm Allen key)	963200245F	I
Over spout Ø 22mm, H. 135mm with nut 3/4", flow straightener inserted	963200145F	J
Over spout Ø 22mm, H. 120mm with nut 3/4" and BIOSAFE outlet	963200923F	-
Under spout Ø 22mm, H. 105mm with nut 3/4" and flow straightener, not threaded, for mixer 2519	943200100M	K
Under spout H. 46mm with nut 3/4" and flow straightener inserted for 2436 and 2445 mixers	943200	-

Spouts L. 150mm		
Over spout Ø 22mm, H. 115mm with nut 3/4", flow straightener set at 3 lpm (can be adjusted by 2.5mm Allen key)	963150125F	L
Over spout Ø 22mm, H. 100mm with nut 3/4" and BIOSAFE outlet	963150923F	-
Under spout H. 46mm with nut 3/4" and flow straightener inserted for 2446 and 2447 mixers	943150	-

TAMPERPROOF SCREWS

Tamperproof screws		
TORX M5 × 25 + rawl plugs	999049	-

SOLENOID VALVES

For basins, showers and WCs		
12V MM½" for basins	495626	M
12V MM¾" for basins	495612	M
12V MM1" for WCs except 463326	461035	-
12V MM1" for WCs 463326	461034	-
6V for TEMPOMATIC 3 basins	479749	N
6V for TEMPOMATIC 4	479748	N
6V for TEMPOMATIC 4 basins (with adjustable flow rate)	479650	-
6V MM½" for TEMPOMATIC 1 & 2, BINOPTIC	495646	O
6V MM¾" for TEMPOMATIC 1 & 2, BINOPTIC	495606	-
6V MM½" for SECURITHERM shower panels	495615	-
Electronic unit for TEMPOMATIC WC dual control	461032	P

ELECTRONIC CONTROL UNITS

For basins, showers and WCs		
230/12V standard with "duty flush" option, with transformer for basins	495444BC	Q
230/12V multifunction with transformer for basins, showers, flush type 461...	495445BC	Q
6V battery-operated for basins	495446BC	Q
6V with integrated batteries for TEMPOMATIC 3 basins	492446	R
6V with integrated batteries for TEMPOMATIC 4 basins	490446	S
6V for TEMPOMATIC 4 basins, mains supply	490450	S
230/12V multifunction with transformer for dual flush type 463...	463000	T

NB: for mixers with high spout and lever (refs. 20464, 20164, 20465, 20165, etc.).

The sensor should be replaced at the same time as the control unit.

SUPPLY CABLES

For TEMPOMATIC 4 basins with mains supply		
6V recessed supply	490240	U
6V European plug supply	490241	-
6V British plug supply	490241UK	V
Extension	490230EXT	-

SENSORS

For basins, showers and WCs		
With cable 0.70m	495070	W
With cable 1.50m	495149	W
With cable 5.00m	495499	W
For basins: BINOPTIC and TEMPOMATIC 2, cable 0.70m	CEL378V	-
For basins: BINOPTIC and TEMPOMATIC 2, cable 1.50m	CEL378150V	-
For basins: BINOPTIC and TEMPOMATIC 2, cable 5.00m	CEL378499V	-
For TEMPOMATIC WC automatic/voluntary, with cable	463399	W

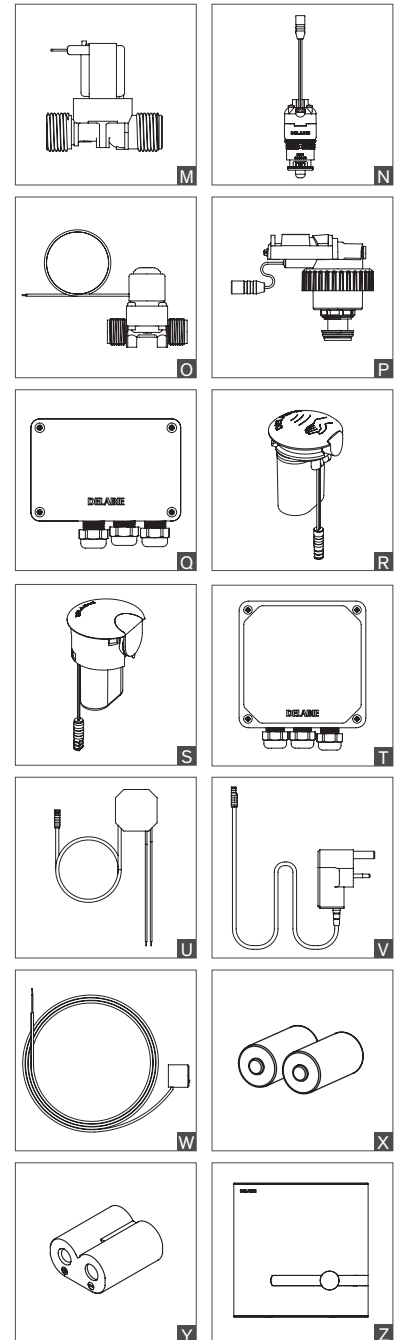
NB: cable cannot be extended or cut.

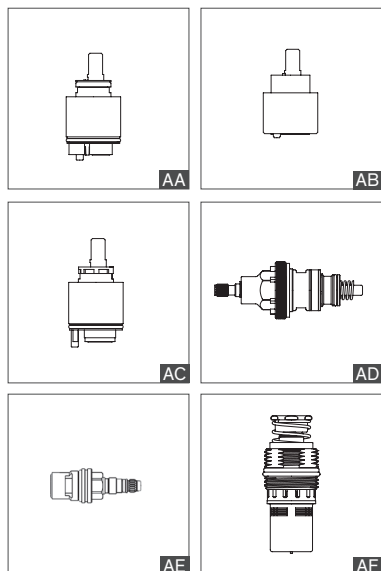
BATTERIES

For basins, showers and WCs		
2 × 3V Lithium batteries 123/CR 17345	990123	X
1 × 6V Lithium battery 223/CR - P2	990223	Y

WALL PLATES WITH INTEGRATED ELECTRONICS

For TEMPOMATIC WC dual control		
6V with integrated batteries - satin finish stainless steel	464PISP	Z
230/12V - satin finish stainless steel	464PISS	Z





BASINS - SINKS AND SHOWERS

Mixers with ceramic cartridges

	Maintenance kit	Complete cartridge	Type
Ø 40mm cartridges			
Standard cartridges			
With base, with flow rate limiter			
2206, 2211, 2211L (before 12/2017), 2220, 2221, 2406, 2420, 2421, 2445, 2446, 2447LUK, 2520, 2521, 2565, 20121, 20421, 2720, 2721, 2820, 2821 2539, 2739 (up to 10/2016)	-	N009AG75	AA
With base, without flow rate limiter			
2239, 2252S, 2439, 2538, 2539, 2739	-	N109AG75	-
Without base, with flow rate limiter			
20164T1, 20164T4, 20464T1, 20464T4, 20870T1, 20870T3, 20871T1, 20871T3	-	N201AG75	-
Without base, without flow rate limiter			
2510, 2519, 2542, 2543, 2597, 2211, 2211L and 2599 (up to 12/2017)	-	N148AA75	-
Without base, with flow rate limiter			
2210, 2246, 2410, 2443, 2522, 2561C, 2562C, 2564, 2569, 2595, 2870, 20870 and 20164/20464 (up to 02/2012)	-	N248AA75	AB
Ø 35mm cartridges			
Standard cartridge with base			
2506T1, 25061T1, 2506T2, 2506T3, 2599	-	NS262	-
2620, 2621, 2620MINI, 2621MINI, 26206, 26216, 26206MINI, 26216MINI	-	NSB262	-
Standard sequential cartridge with base			
2436, 2436P, 2436S, 2437, 2437S	-	N243I	-
2640, 2640S, 2641, 2641S	-	N243	-

Mixers with pressure-balancing ceramic cartridges

Ø 40mm cartridges with base			
2211EP, 2211LEP, 2239EP, 2439EP, 2445EP, 2445LEPUK, 2445LEP, 2446EP, 2446LEP, 2447LEPUK, 2520EP, 2521EP, 2539EP, 2565TxEP, 2720TEP, 2721TEP, 2739EP, 2739TEP, 2820TEP, 2821TEP	-	N252	AC
Ø 35mm cartridges with base			
2542EP, 2599EP, 2620EP, 2621EP, 2620MINIEP, 2621MINIEP, 26206EP, 26216EP, 26206MINIEP, 26216MINIEP	-	N262	-

Mixers with thermostatic cartridges

Thermostatic sequential cartridges			
H9610, H9610S, H9611P, H9614P, H9615	-	N96	-
H9600, H9605, H9612, H9613, H9642	-	N96L	-
H9630, H963015, H9630S, H9632, H9634, H9635, H963615, H963915, H9640, H964015, H9640S, H9641, H964115	-	N9630	-
Thermostatic cartridges			
H9739 and H9739S	-	N97L	-
H9741, H9741S, H9741TP, H9752P and H9752S	-	N97LR	AD
H9716 and H9726	-	N9726	-
H9769 and H9769S	-	N9769	-
½" Ceramic head, ¼-turn			
for refs. since 02/2010	-	P9775	AE

Mixers with valve head or ceramic head

Guided valve head Ø 22.5mm + cover			
for range 5800 except 5807 and 5808	-	P120AA75	AF

Non-manual controls

TEMPOGENOU 734100, 735100, 735000, 735400, 735447	753005	743305	AF
MONOFOOT 736001, 736101, 736102	753736	-	-
MIXFOOT 739000, 739100, 739102	753739	-	-

WC

Cartridges

	Maintenance kit	Complete cartridge	Type
For TEMPOFLUX 2			
762901, 762902, 576211, 578300, 578305	-	743622	AG
762150	-	743623	-
576277, 578400, 578405	-	743677	-
For TEMPOFLUX 3			
763000, 763040	-	743765	AH

Wall plates

For recessed TEMPOFLUX 3			
Satin finish stainless steel wall plates		763PIM	-
Chrome-plated metal wall plates		763PMM	-

BED PAN CLEANERS

½" Ceramic head, ¼-turn right			
158100, 2591, 2592, 2594	-	P482AJ75	AI

GROUP THERMOSTATIC MIXING VALVES

	Maintenance kit	Type
For PREMIX SECURITY after 06/2008		
731052, 731053	753750	AJ
731054, 731055	753755	AK
For PREMIX COMFORT after 06/2008		
731002, 731200, 731003, 731300	753730	AJ
731004, 731400, 731005, 731500	753735	AK
For PREMIX COMPACT		
733015, 733016, 733020, 733021	753733	AL
For PREMIX NANO		
732012, 732016, 732115, 732116, 732216	743732	AM
Connector kit 3/8" for 732216	732515	AN
For ECONOMIX		
2 × 15mm Combi angled inlet assembly	BA9915	-

SOAP DISPENSERS

SOAP DISPENSERS			
729008, 729108, 729508	729302	729308	-
729012, 729112, 729512	729302	729312	-
729150, 729200	729302	729303	-

