

# Recessed sequential thermostatic shower mixer with angled outlet

Ref. H9633

SECURITHERM mixer with no non-return valves, kit 2/2



## DESCRIPTION

**Recessed sequential thermostatic shower mixer with angled outlet - Ref. H9633**

SECURITHERM recessed thermostatic shower mixer with angled outlet, kit 2/2 :

Sequential thermostatic mixer: opens and closes with cold water.

Mixer with no non-return valves on the inlets (reduces bacterial development).

No risk of cross flow between the hot and cold water.

Sequential mixer with anti-scalding failsafe: shuts off automatically if cold water supply fails.

Avoids cold showers: shuts off automatically if hot water supply fails.

Sequential mixer with Securitouch thermal insulation prevents burns.

Scale-resistant sequential thermostatic cartridge adjusts the flow rate and temperature.

Temperature control from cold water up to 39°C with pre-set maximum temperature limiter set at 39°C.

Thermal shocks are possible.

Flow rate regulated at 9 lpm (mixer only), 6 lpm at 3 bar with a shower head.

ERGO control knob.

Filters integrated in the M3/4" inlets.

Order a shower head or wall outlet.

Bright polished stainless steel cover plate 166 x 166mm

Mixer ideal for use in healthcare facilities, retirement and care homes, hospitals and clinics.

Sequential mixer suitable for people with reduced mobility.

Shower mixer with 30-year warranty.

Order with the waterproof recessing housing ref. H96CBOX.

## TECHNICAL CHARACTERISTICS

**Recessed sequential thermostatic shower mixer with angled outlet - Ref. H9633**

Technology	SECURITHERM Securitouch sequential thermostatic mixer
Height	166mm
Width	166mm
Flow rate	Flow rate regulated at 9 lpm (mixer only), 6 lpm at 3 bar with shower head
Temperature limiter	Yes
Finish	Chrome-plated brass
Norms	ACS

## ADVANTAGES



Sequential: opens/closes with cold water



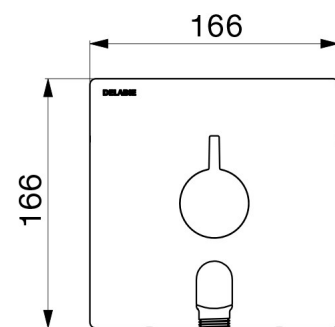
Maximum hygiene: no non-return valves



SECURITHERM: optimal anti-scalding safety



Thermostatic: total temperature stability



---

Warranty



---

Repairability

