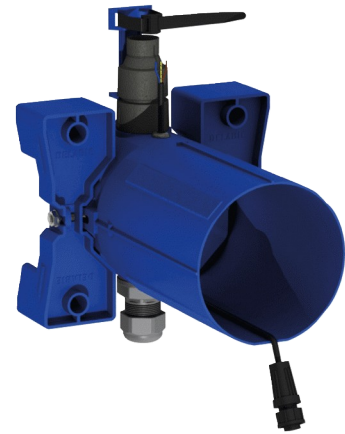


Recessed waterproof housing for TEMPOMATIC 4 urinal valve

Ref. 430SBOX

For electronic urinal valve



DESCRIPTION

Recessed waterproof housing for TEMPOMATIC 4 urinal valve - Ref. 430SBOX

Recessed waterproof housing for electronic urinal valves, kit 1/2: Compatible with 230/6V mains supply (cable and transformer supplied). Collar with waterproof seal.

Hydraulic connection to the outside and maintenance from the front. Adjusts to all types of installation (rails, solid walls, panels).

Compatible with wall finishes 10 - 120mm (while maintaining the minimum recessing depth of 83mm).

Suitable for standard or "pipe in pipe" supply.

Valve configured for secure system flush without sensitive elements, and connection accessories.

Connection with Ø 35mm connection washer (for standard urinals) or ½" brass connection (for urinals supplied by flexible).





For use with neck tube 752430 or 757430.

30-year warranty.

Order with control plate references 430000, 430010 or 430030.

TECHNICAL CHARACTERISTICS

Recessed waterproof housing for TEMPOMATIC 4 urinal valve - Ref. 430SBOX

Supply	230/6V mains supply
Connector	F½"
Technology	Electronic
Height	150mm
Depth	83 - 190mm
Width	175mm
Norms	  
Warranty	

ADVANTAGES



Easy to install



Housing is adjustable and modular



100% waterproof housing



Compatibility: rails, solid walls and panels

