

# BIOSAFE sequential mechanical basin mixer

Ref. 2664T5

Tall single hole sequential mixer H. 200mm L. 200mm

## DESCRIPTION

**BIOSAFE sequential mechanical basin mixer - Ref. 2664T5**

Tall deck-mounted mechanical basin mixer.  
 Sequential mechanical mixer: opens and closes with cold water, with 70° lever turning range.  
 Single hole mixer with swivelling spout H. 200mm L. 200mm.  
 Tall spout L. 120mm with hygienic BIOSAFE outlet suitable for fitting a BIOFIL point-of-use filter.  
 Ø 35mm sequential ceramic cartridge with a pre-set maximum temperature limiter.  
 Spout with tubes with smooth interiors and very low water volume reduces bacterial development.  
 The speed of the water in the tubes reduces biofilm development considerably.  
 Thermal shocks are possible without removing the control lever or shutting off the cold water supply.  
 Body with very low volume of water (fewer niches where bacteria can develop).  
 Flow rate regulated at 5 lpm.  
 Hygiene control lever L. 200mm requires no manual contact.  
 Rotating PEX flexibles F3/8".  
 No risk of cross flow between the hot and cold water.  
 No non-return valves on the inlets.  
 Fixing reinforced by 2 stainless steel rods.  
 Mechanical mixer ideal for Healthcare facilities, retirement and care homes, hospitals and clinics.  
 Suitable for people with reduced mobility.  
 30-year warranty.





## TECHNICAL CHARACTERISTICS

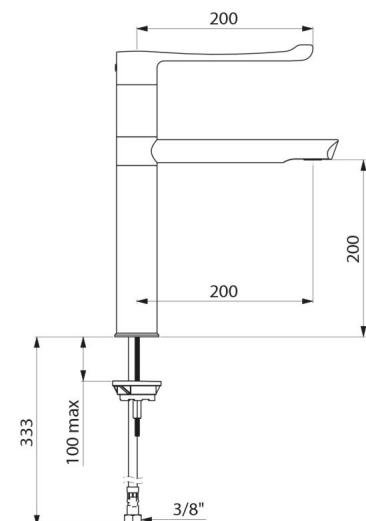
**BIOSAFE sequential mechanical basin mixer - Ref. 2664T5**

Supply	3/8"
Technology	Sequential mechanical mixer
Drop height	200mm
Spout length	200mm
Flow rate	5 lpm
Temperature limiter	Yes
Finish	Chrome-plated brass
Norms	ACS



## ADVANTAGES

-  Sequential: opens/closes with cold water
-  Thermal shocks are possible without removing lever
-  Maximum hygiene: reduced biofilm
-  No manual contact: Hygiene control lever



---

Warranty

