

Self-supporting frame system for TEMPOFIX 3 with electronic WC valve

Ref. 547105

Electronic valve with mains supply



DESCRIPTION

Self-supporting frame system for TEMPOFIX 3 with electronic WC valve - Ref. 547105

Self-supporting frame system for wall-hung WCs:

- Black powder-coated steel frame.
- With large feet for fixing to load-bearing floors.
- Frame height can be adjusted from 0 - 200mm (with 1m mark).
- Ø 32mm flush tube with Ø 55mm connection washer.
- Ø 100mm PVC soil pipe with waterproof seal, with 2 setting positions.
- Delivered pre-mounted.
- Compatible with solid wall finishes from 70 - 210mm.

Fitted with a TEMPOMATIC F1" electronic direct flush valve:
Flush system without cistern: directly connected to pipework

- Mains supply with 1" solenoid valve.
- 230/12V transformer.
- IP65 independent electronic unit.
- Wall plate flush to the wall.
- Shock-resistant infrared presence detection sensor.
- Voluntary activation (when hand is detected ~4cm in front of the sensor) or automatic flush (when the user leaves).
- Time flow ~7 seconds, can be adjusted from 3 - 12 seconds.
- Detection distance and flow rate/volume can be adjusted.
- Base flow rate 1 L/sec at 1 bar dynamic pressure.
- Compatible with rain water.

Technical characteristics: see TEMPOMATIC WC ref. 463150.


Suitable for rimless WC pans without flow rate regulation.

Suitable for people with reduced mobility.

30-year warranty.

TECHNICAL CHARACTERISTICS

Self-supporting frame system for TEMPOFIX 3 with electronic WC valve - Ref. 547105

| | |
|------------|---|
| Supply | Mains supply 230/12V |
| Connector | 1" |
| Technology | Electronic |
| Height | 1000 - 1320mm |
| Depth | 157 - 177mm |
| Width | 350mm |
| Warranty |  |

ADVANTAGES



Total hygiene: no manual contact



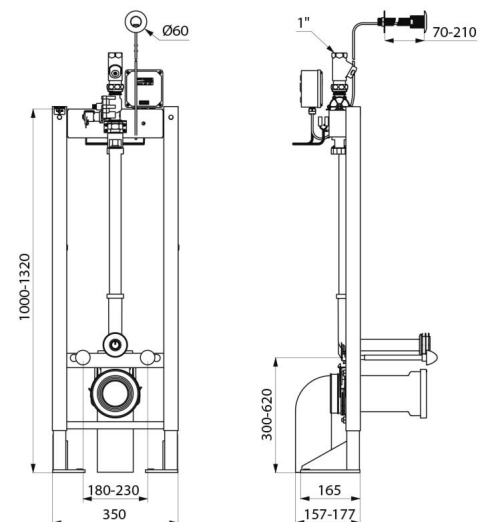
Install behind the wall



Quick and easy to install: delivered pre-mounted



Direct flush: no stagnant water



Repairability

