

Shower kit with thermostatic mixer

Ref. H9769KIT

Shower kit with thermostatic mixer with no non-return valves

DESCRIPTION

Shower kit with thermostatic mixer - Ref. H9769KIT

Shower riser rail with thermostatic dual control mixer.
Shower kit with SECURITHERM thermostatic shower mixer.
Thermostatic mixer with no non-return valves on the inlets (reduces bacterial proliferation).

No risk of cross flow between hot and cold water.

Mixer with anti-scalding failsafe: shuts off automatically if cold water supply fails.

Prevents cold showers: shuts off automatically if hot water supply fails.

Securitouch thermal insulation prevents burns.

Scale-resistant thermostatic cartridge adjusts the temperature.

1/4-turn ceramic valve head adjusts the flow rate.

Temperature control up to 43°C.

Double temperature limiter: 1st limiter set at 41°C can be overridden, 2nd limiter set at 43°C.

Thermal shocks are possible without removing the control knob or shutting off the cold water.

Flow rate limited at 9 lpm at 3 bar.

Chrome-plated brass body and ergonomic control knobs.

M1/2" bottom outlet.

Filters integrated in the inlets, F3/4".

Mixer with offset STOP/CHECK wall connectors, M1/2" M3/4".

- Sliding shower head holder (ref. 813) on a chrome-plated riser rail (ref. 821) with soap dish and flexible shower hose (ref. 836T1).

- Shower head retaining collar (ref. 828).

Mixer ideal for healthcare facilities, retirement and care homes, hospitals and clinics.

Mixer suitable for people with reduced mobility.

Shower kit with 30-year warranty.

TECHNICAL CHARACTERISTICS

Shower kit with thermostatic mixer - Ref. H9769KIT

Connector	M1/2"
Technology	SECURITHERM Securitouch thermostatic mixer, no non-return valves
Depth	95mm
Length	260mm
Flow rate	9 lpm at 3 bar
Temperature limiter	Yes
Finish	Chrome-plated brass



ADVANTAGES



SECURITHERM: Anti-scalding safety



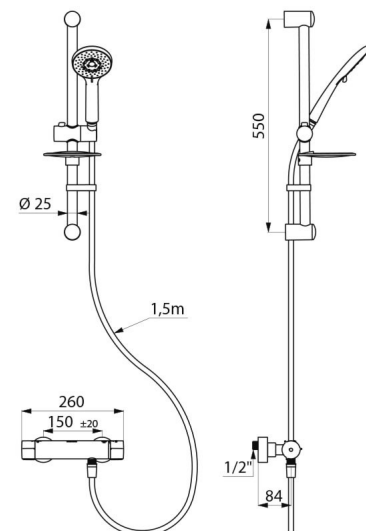
Securitouch thermal insulation prevents burns.



Securitouch thermal insulation prevents burns



Thermostatic: total temperature stability



Norms



Warranty

