

# Thermostatic SECURITHERM securitouch auto-drain shower kit.

Ref. H9741HYG

Securitouch dual control thermostatic mixer

## DESCRIPTION

Thermostatic SECURITHERM securitouch auto-drain shower kit. - Ref. H9741HYG

SECURITHERM dual control thermostatic shower kit with auto-draining device:

- Shower mixer with scale-resistant thermostatic cartridge;
- Mixer with anti-scalding failsafe: shuts off automatically if cold water supply fails.

Prevents cold showers: shuts off automatically if hot water supply fails.

Securitouch thermal insulation prevents burns.

Scale-resistant thermostatic cartridge adjusts the temperature.

¼-turn ceramic valve head adjusts the flow rate.

Temperature control from 25 - 41°C.

Double temperature limiter: 1st limiter set at 38°C can be overridden, 2nd limiter set at 41°C.

Thermal shocks are possible without removing the control knob or shutting off the water supply.

Flow rate regulated at 9 lpm.

Chrome-plated brass body with ERGO controls.

M1/2" shower outlet.

Filters and non-return valves integrated on the inlets, F3/4".

Mixer with offset STOP/CHECK wall connectors, M1/2" M3/4".

- Shower head (ref. 813) with chrome-plated wall-mounted adjustable support (ref. 845).
  - Auto-draining device FM1/2" for installation between the flexible hose and the shower head, automatically drains the shower head and flexible hose (ref. 880).
- Mixer ideal for healthcare facilities, retirement and care homes, hospitals and clinics.  
Mixer suitable for people with reduced mobility.  
Shower mixer with 30-year warranty.

## TECHNICAL CHARACTERISTICS

Thermostatic SECURITHERM securitouch auto-drain shower kit. - Ref. H9741HYG

Connector	M1/2"
Technology	SECURITHERM Securitouch thermostatic mixer
Depth	92mm
Length	286mm
Flow rate	9 lpm
Temperature limiter	Yes
Finish	Chrome-plated brass



## ADVANTAGES



SECURITHERM: Optimum anti-scalding safety



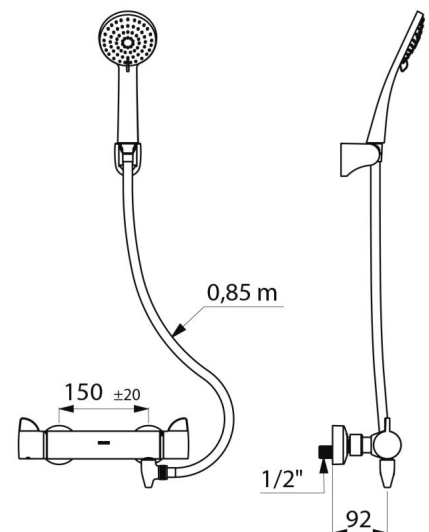
Double maximum temperature limiter



Securitouch thermal insulation prevents burns



Thermostatic: total temperature stability



---

Norms



---

Warranty



---

Repairability

