

TEMPOMATIC electronic tap with removable BIOCLIP spout

Ref. 20801T2

Wall-mounted infrared tap with disposable spout



DESCRIPTION

TEMPOMATIC electronic tap with removable BIOCLIP spout - Ref. 20801T2

Wall-mounted electronic basin tap for mounting on panels.
 Electronic tap with removable BIOCLIP spout.
 Infrared sensor tap supplied with 1 removable, disposable spout made from recyclable Hostaform® L. 125mm.
 Independent IP65 electronic control unit.
 230/12V mains supply with transformer.
 Spout and base with smooth interiors (reduces bacterial development).
 Adjustable duty flush (pre-set at ~60 seconds every 24 hours after the last use).
 Flow rate limited to 4 lpm at 3 bar.
 Shock-resistant infrared presence detection sensor.
 Separate sensor for mounting on panels.
 M3/8" solenoid valve with integrated filter.
 Ø 60mm chrome-plated brass base.
 Anti-blocking security.
 Recommended installation height: 110 - 200mm above the basin surface.
 Electronic tap ideal for healthcare facilities, retirement and care homes, hospitals and clinics.
 Electronic tap suitable for people with reduced mobility.
 30-year warranty.
 Two shut-off options:
 - standard mode: timed flow with automatic shut-off;
 - ON/OFF mode: user shuts off flow voluntarily or automatic shut-off after 30 minutes.
 Thermal shocks are possible.
 Install the sensor beside the tap in the ON/OFF mode.

ADVANTAGES



Automatic duty flush reduces bacterial development



Spout can be removed for internal cleaning



Hygiene: smooth interior reduces bacteria

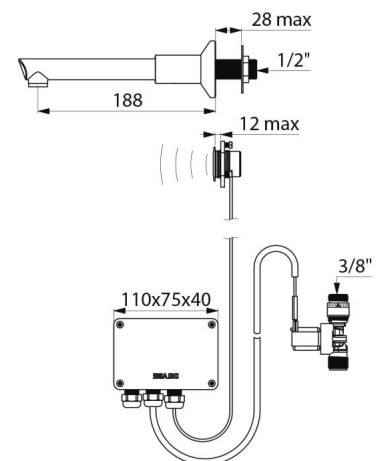


No manual contact: infrared sensor

TECHNICAL CHARACTERISTICS

TEMPOMATIC electronic tap with removable BIOCLIP spout - Ref. 20801T2

Connector	M3/8"
Technology	Wall-mounted electronic tap
Depth	188mm
Spout length	125mm
Flow rate	4 lpm at 3 bar
Finish	Chrome-plated brass
Norms	ACS CE



Warranty

30
YEARS
WARRANTY

Repairability

50
YEARS
REPAIRABILITY
