

## TEMPOMATIC electronic tap with removable BIOCLIP spout



Ref. 20801T2

Wall-mounted infrared tap with disposable spout



### DESCRIPTION

**TEMPOMATIC electronic tap with removable BIOCLIP spout - Ref. 20801T2**

Wall-mounted electronic basin tap for mounting on panels.  
 Electronic tap with removable BIOCLIP spout.  
 Infrared sensor tap supplied with 1 removable, disposable spout made from recyclable Hostaform® L. 125mm.  
 Independent IP65 electronic control unit.  
 230/12V mains supply with transformer.  
 Spout and base with smooth interiors (reduces bacterial development).  
 Adjustable duty flush (pre-set at ~60 seconds every 24 hours after the last use).  
 Flow rate limited to 4 lpm at 3 bar.  
 Shock-resistant infrared presence detection sensor.  
 Separate sensor for mounting on panels.  
 M3/8" solenoid valve with integrated filter.  
 Ø 60mm chrome-plated brass base.  
 Anti-blocking security.  
 Recommended installation height: 110 - 200mm above the basin surface.  
 Electronic tap ideal for healthcare facilities, retirement and care homes, hospitals and clinics.  
 Electronic tap suitable for people with reduced mobility.  
 30-year warranty.  
 Two shut-off options:  
 - standard mode: timed flow with automatic shut-off;  
 - ON/OFF mode: user shuts off flow voluntarily or automatic shut-off after 30 minutes.  
 Thermal shocks are possible.  
 Install the sensor beside the tap in the ON/OFF mode.

### ADVANTAGES



Automatic duty flush reduces bacterial development



Spout can be removed for internal cleaning



Hygiene: smooth interior reduces bacteria

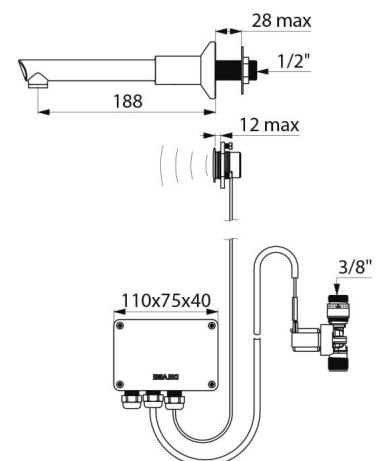


No manual contact: infrared sensor

### TECHNICAL CHARACTERISTICS

**TEMPOMATIC electronic tap with removable BIOCLIP spout - Ref. 20801T2**

Connector	M3/8"
Technology	Wall-mounted electronic tap
Depth	188mm
Spout length	125mm
Flow rate	4 lpm at 3 bar
Finish	Chrome-plated brass
Norms	ACS CE



Warranty



Repairability

